



IDEAL FOR
 PORTRAIT OR
 LANDSCAPE
 INSTALLS

BT8390-VESA600F SYSTEM X™ UNIVERSAL INTERFACE ARMS FOR LARGE SCREENS

These interface arms are designed to mount large screens in a fixed position across a System X horizontal mounting rail. The universal design is compatible with a variety of different screens and allows them to be mounted in either landscape or portrait orientations. Levelling screws on each interface arm provide post installation height adjustment and a mounted depth of 48mm from the wall allows easy access for cables and connectors.

SPECIFICATION

Recommended screen size (landscape)	50" and over
Recommended screen size (portrait)	42" and over
Max load	70kg
VESA® & non-VESA fixings	up to 600mm* (vertical dimension)
Depth (when wall mounted)	48mm
Colour	Black
Supplied in pairs	

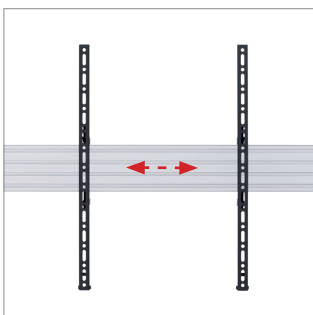
*The VESA specification of the BT8390-VESA600F refers to the vertical dimension only. All System X interface arms can be positioned as far along the rail as necessary.

FEATURES

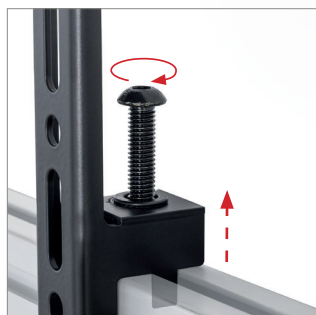
- Interface arms capable of supporting substantial loads
- Designed to be mounted on a BT8390 horizontal mounting rail
- Suitable for landscape or portrait mounting
- Lateral adjustment - position arms anywhere along the length of the rail
- Includes levelling screws to adjust the screen height
- Safety screws help prevent unauthorised removal of screens
- Simple 'hook-on' installation



SYSTEM X



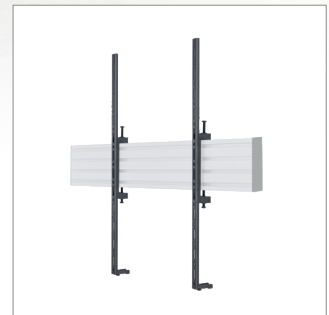
Position arms anywhere along the length of the rail



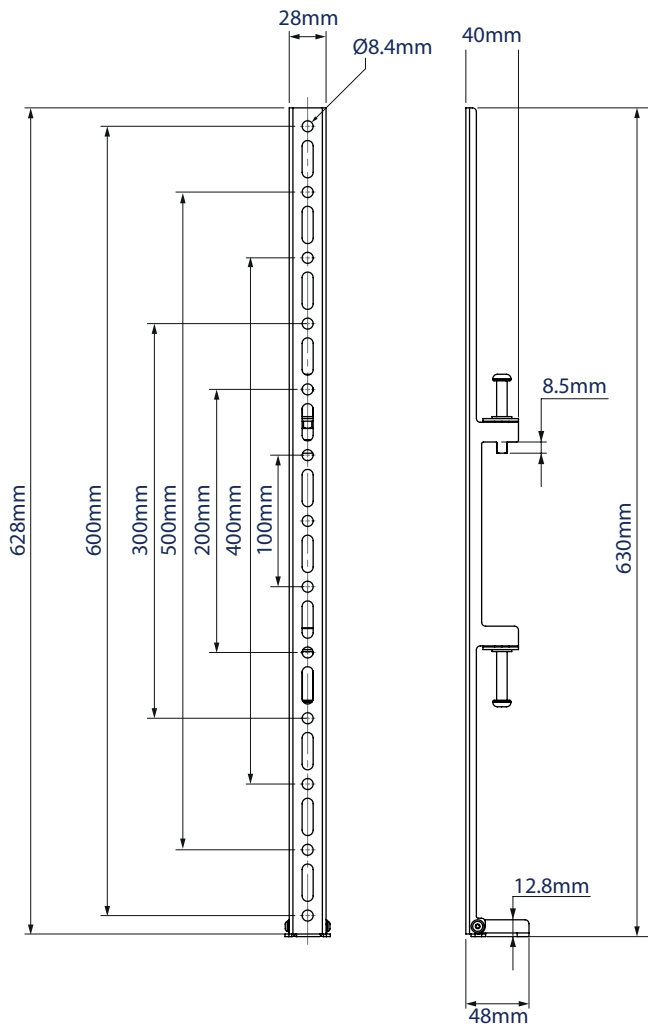
Arms feature levelling screws to adjust the screen height



Safety screws help prevent unauthorised removal of screens



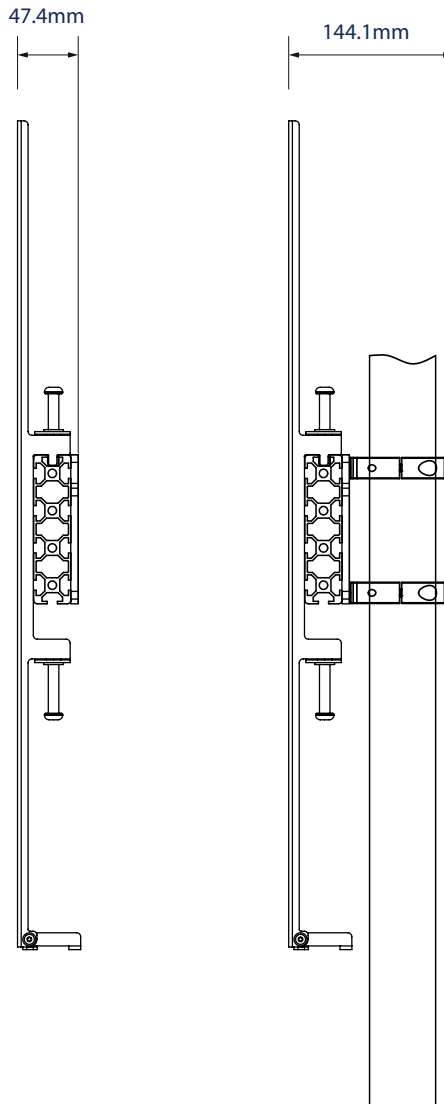
Ideal for portrait mounting screens with VESA 600 x 400mm fixings



FRONT VIEW

SIDE VIEW

TYPICAL INSTALLATIONS



WALL MOUNTED
ACROSS 1 RAIL*

POLE MOUNTED*

*Please note all other components shown in the technical drawings are available separately.

PACKING INFORMATION

COLOUR:	ORDER REF:	EAN CODE:	MASTER CARTON QTY:	INNER CARTON QTY:	MASTER CARTON WEIGHT:	MASTER CARTON CUBE:
Black	BT8390-VESA600F/B	5019318501432	1	0	5kg	0.006cbm

ACCESSORIES AND RELATED PRODUCTS

BT8390-WFK1



Rail Fixing Kit designed to wall mount horizontal rails

BT8390-030/050/070/150/175/200



Mounting Rails can be fixed to columns, walls or poles using System X components

BT7565



Interface Adaptor Arms Increases VESA fixings to 800mm

BT8390-VESA400F



Universal Interface Arms Suitable for screens with VESA 400 fixings

© 2019 B-Tech Av Mounts. Design & Manufacture. All rights reserved.
The information in this specification sheet reflects the current technical specifications at the time of printing.
We reserve the right to change the technical or physical specifications without prior notice. This right shall not be construed as a warranty, liability, or acceptance of responsibility for any damage or injury caused by improper installation or mounting on unsuitable structures. Any reproduction or transmission or replication of any part of this specification is expressly prohibited unless prior written permission has been granted by B-Tech Av Mounts Design & Manufacturing Ltd. B-Tech Av Mounts Ltd. is a registered company in the United Kingdom.
SS-V2-VESA600F-190521